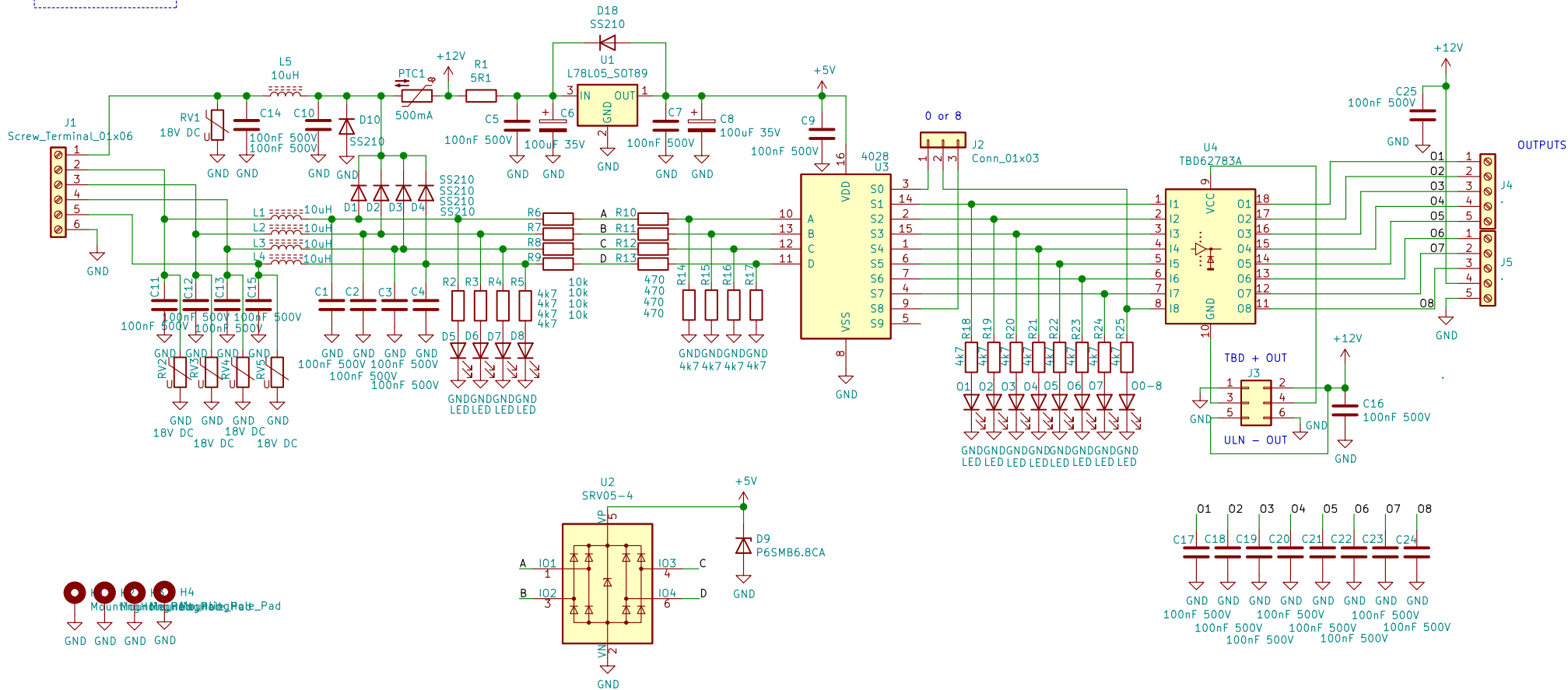


13,8V = 3,2mA
 minimal is 9V = 1,8mA



by Jan OK2ZAW
 QRO.cz
 Sheet: /
 File: ver0.1.sch

Title: BCD to DEC antenna decoder

Size: A4	Date: 2021-05-03	Rev: ver. 0.1
KiCad E.D.A. kicad (5.1.9)-1		Id: 1/1