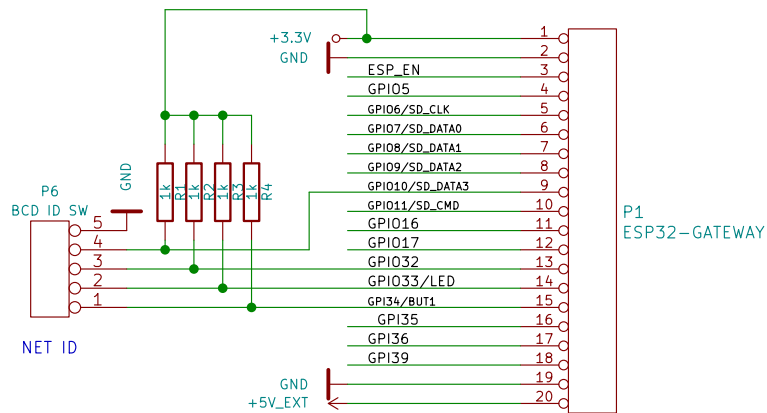
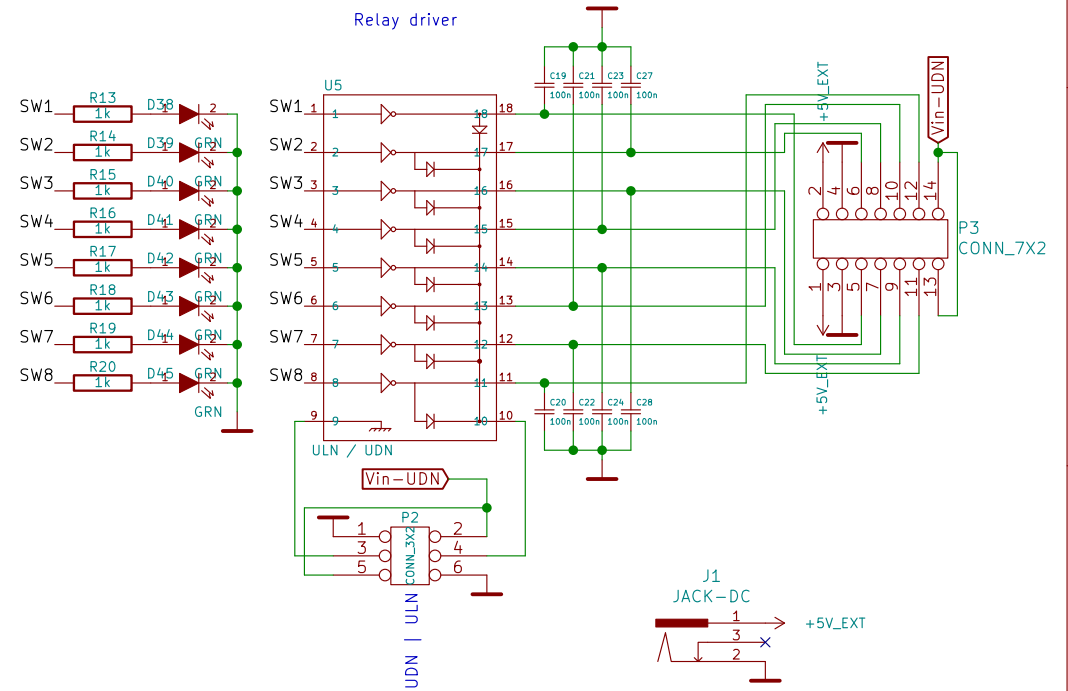
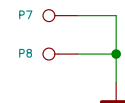


Shift register

ESP32-GATEWAY conn



Mounting points



IP relay driver for ESP32 Gateway

#OK1HRA

Licensed under the Attribution-ShareAlike 4.0 International (CC BY-SA 4.0)

<http://creativecommons.org/licenses/by-sa/4.0/>

**RemoteQTH.com**

Sheet: /

File: ip-switch.sch

**Title: Red IP module**

Size: A4 | Date: 2017-09-17

KiCad E.D.A. kicad (2017-09-18 revision 3d1bebe9f)-master

**Rev: 0.2**

Id: 1/1