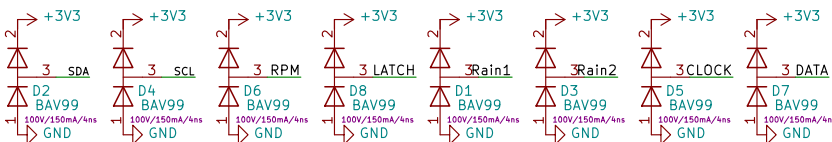
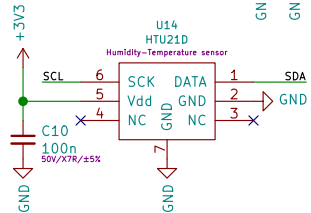
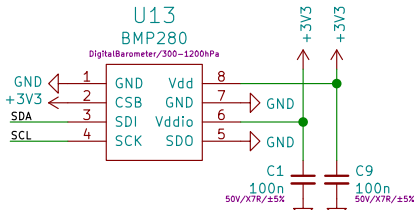
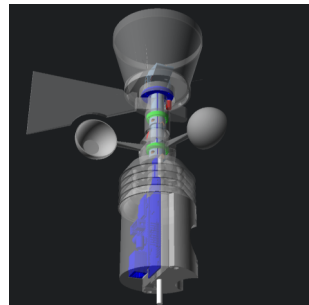


Pressure humidity temp

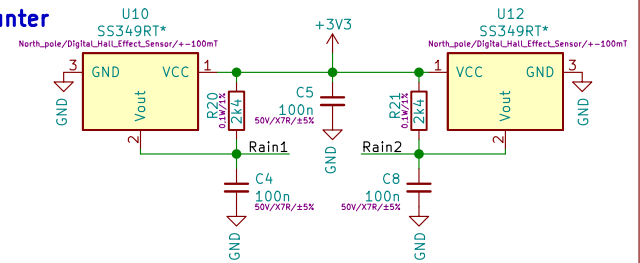


Mechanics

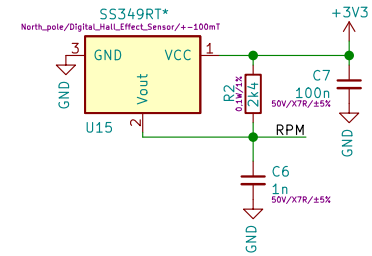


- ☒ M15 protective acrylic*
- ☒ M5 POE injector* TP-LINK TL-POE150S
- ☒ M6 7x M3x10*
- ☒ M7 4x M2x10*
- ☒ M10 2x bearings 61802*
- ☒ M8 Brass threaded rod M6x220mm*
- ☒ M9 2x brass M6 nut*
- ☒ M11 2x neodymium magnet*
- ☒ M12 1x neodymium magnet*
- ☒ M13 1x neodymium magnet glue*
- ☒ M14 2x Cable tie; with a metal clasp*
- ☒ M17 Stainless steel threaded rod M6x125mm*

Rain counter

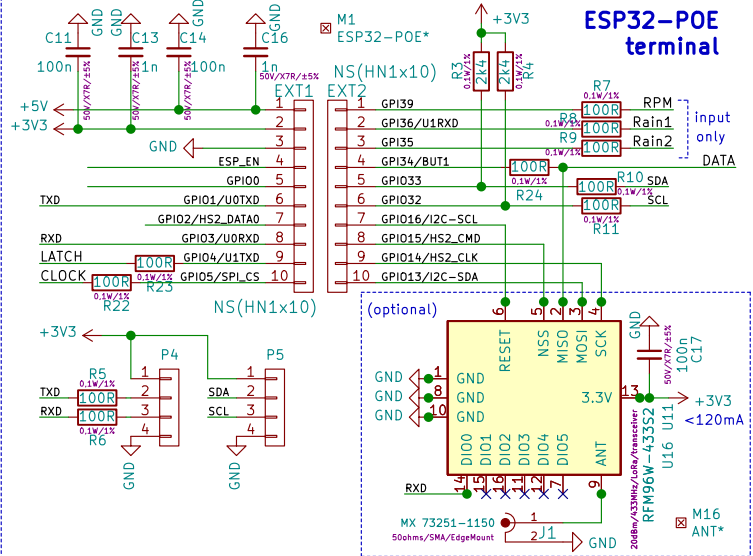
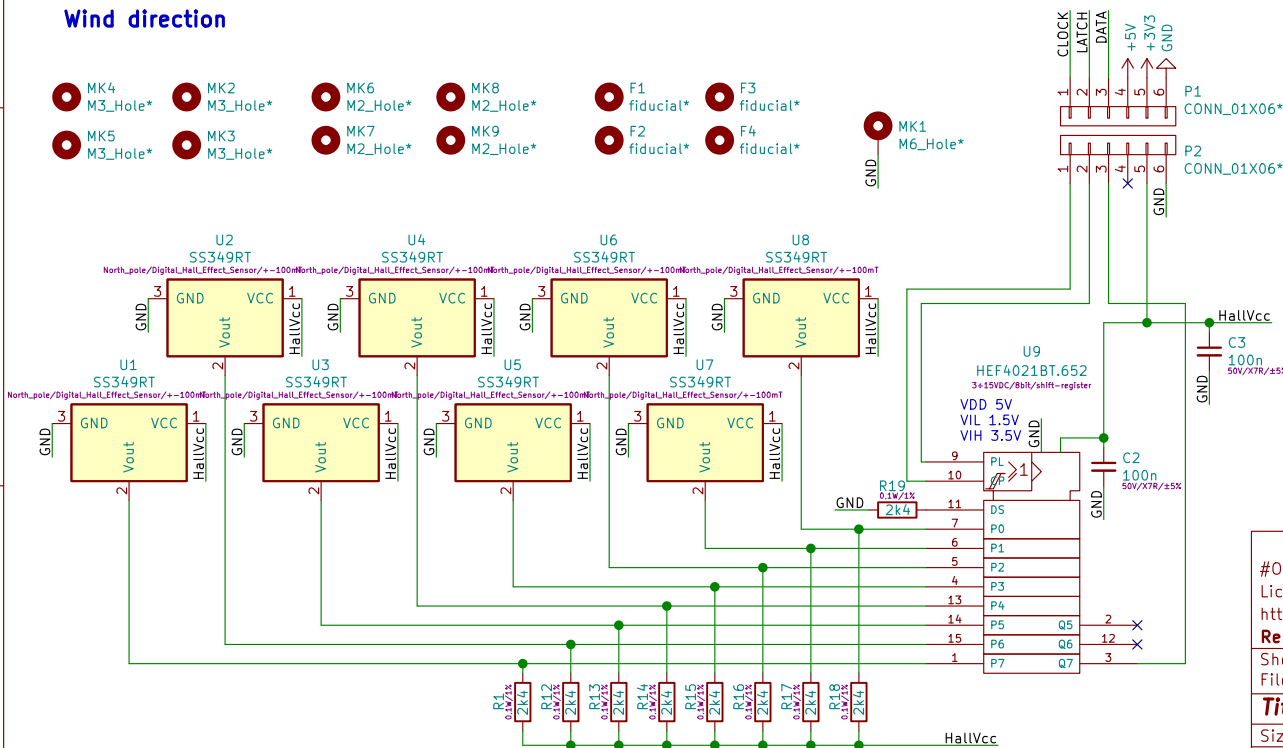


RPM



Wind direction

- MK4 M3_Hole*
- MK2 M3_Hole*
- MK6 M2_Hole*
- MK8 M2_Hole*
- F1 fiducial*
- F3 fiducial*
- MK5 M3_Hole*
- MK3 M3_Hole*
- MK7 M2_Hole*
- MK9 M2_Hole*
- F2 fiducial*
- F4 fiducial*



#OK1HRA

Licensed under the Attribution-ShareAlike 4.0 International (CC BY-SA 4.0)
<http://creativecommons.org/licenses/by-sa/4.0/>

RemoteQTH.com

Sheet: /
 File: wx-04.sch

☒ KiCad ☒ OSH* ☒ RQ*

Title: RemoteQTH WX station

Size: A4 Date: 2020-04-15
 KiCad E.D.A. kicad 5.1.5+dfsg1-2+b1

Rev: 0.4
 Id: 1/1