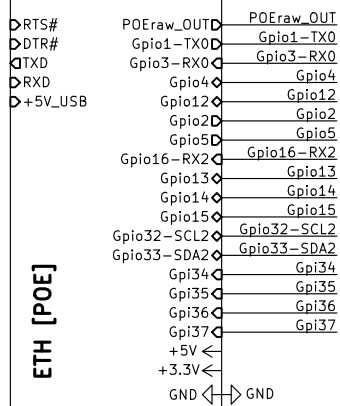
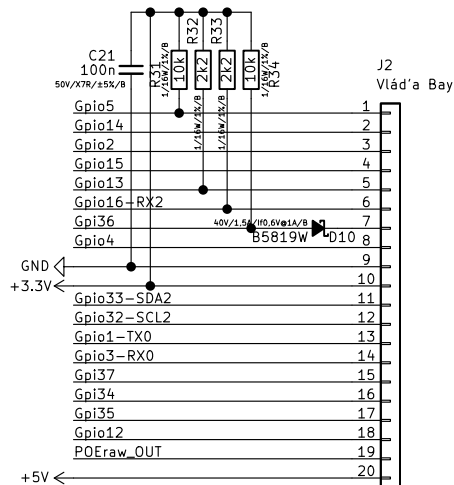


Sheet: Sheet5F8BEB2E



File: esp32.sch



Changelog
 rev 0.2
 - R3 to 100R
 - ETH shield and H1, H2 connect to PE

Based on ESP32-POE from OLIMEX
<https://www.olimex.com/Products/loT/ESP32/ESP32-POE/open-source-hardware>

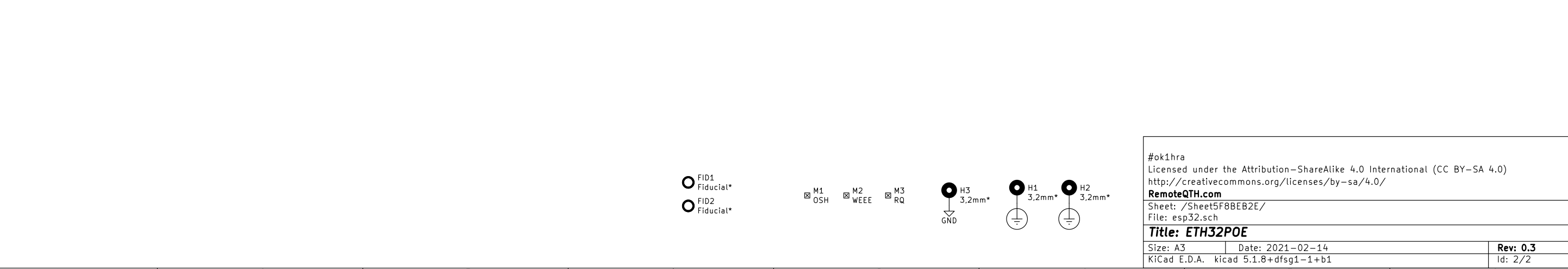
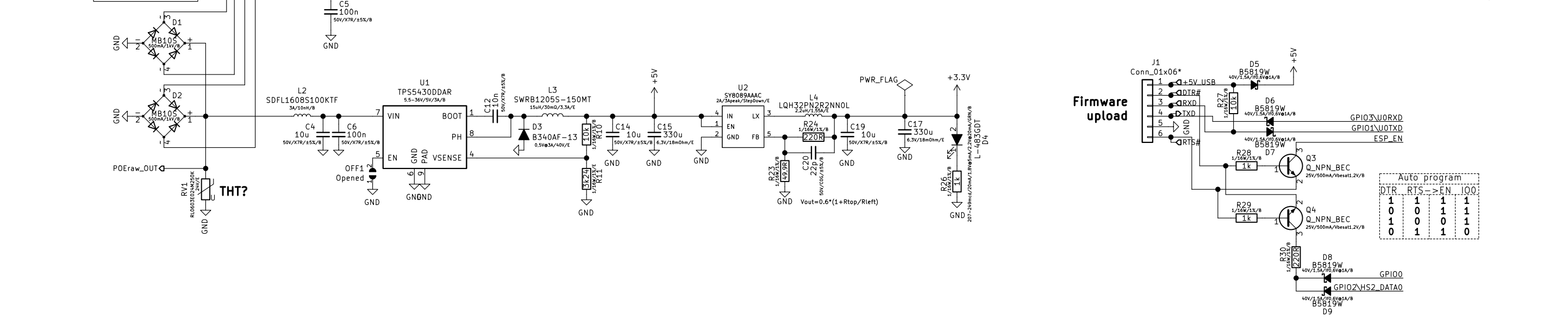
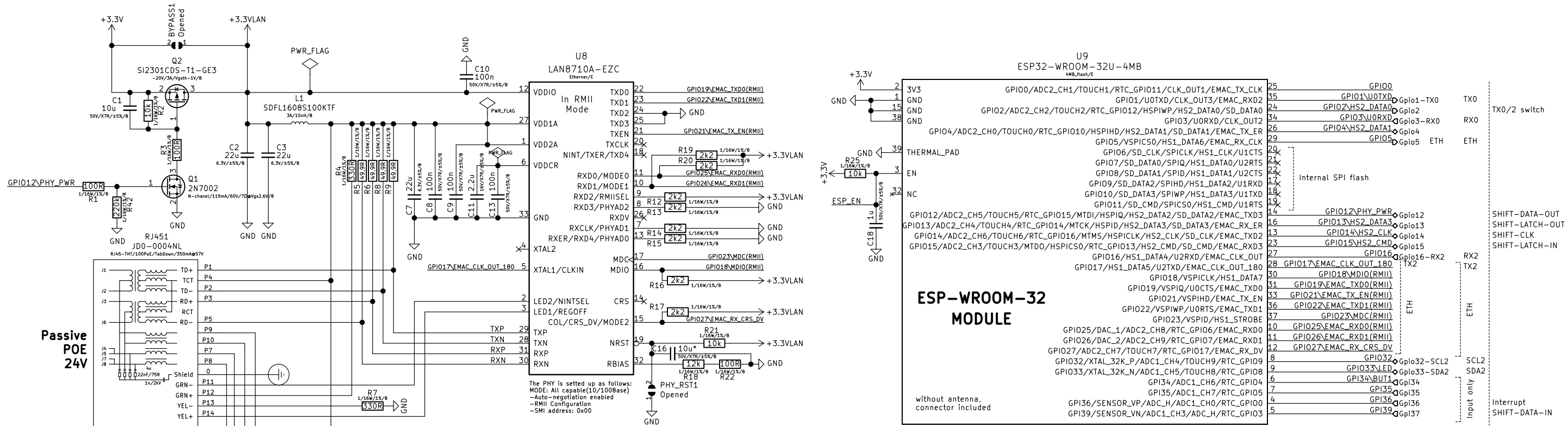
#ok1hra
 Licensed under the Attribution-ShareAlike 4.0 International (CC BY-SA 4.0)
<http://creativecommons.org/licenses/by-sa/4.0/>
RemoteQTH.com

Sheet: /
 File: ETH32POE-03.sch

Title: ETH32POE

Size: A4 Date: 2021-02-14
 KiCad E.D.A. kicad 5.1.8+dfsg1-1+b1

Rev: 0.3
 Id: 1/2



#ok1hra
 Licensed under the Attribution-ShareAlike 4.0 International (CC BY-SA 4.0)
<http://creativecommons.org/licenses/by-sa/4.0/>
 RemoteQTH.com
 Sheet: /Sheet5F8BEB2E/
 File: esp32.sch

Title: ETH32POE

Size: A3	Date: 2021-02-14	Rev: 0.3
KiCad E.D.A. kicad 5.1.8+dfsg1-1+b1		Id: 2/2

