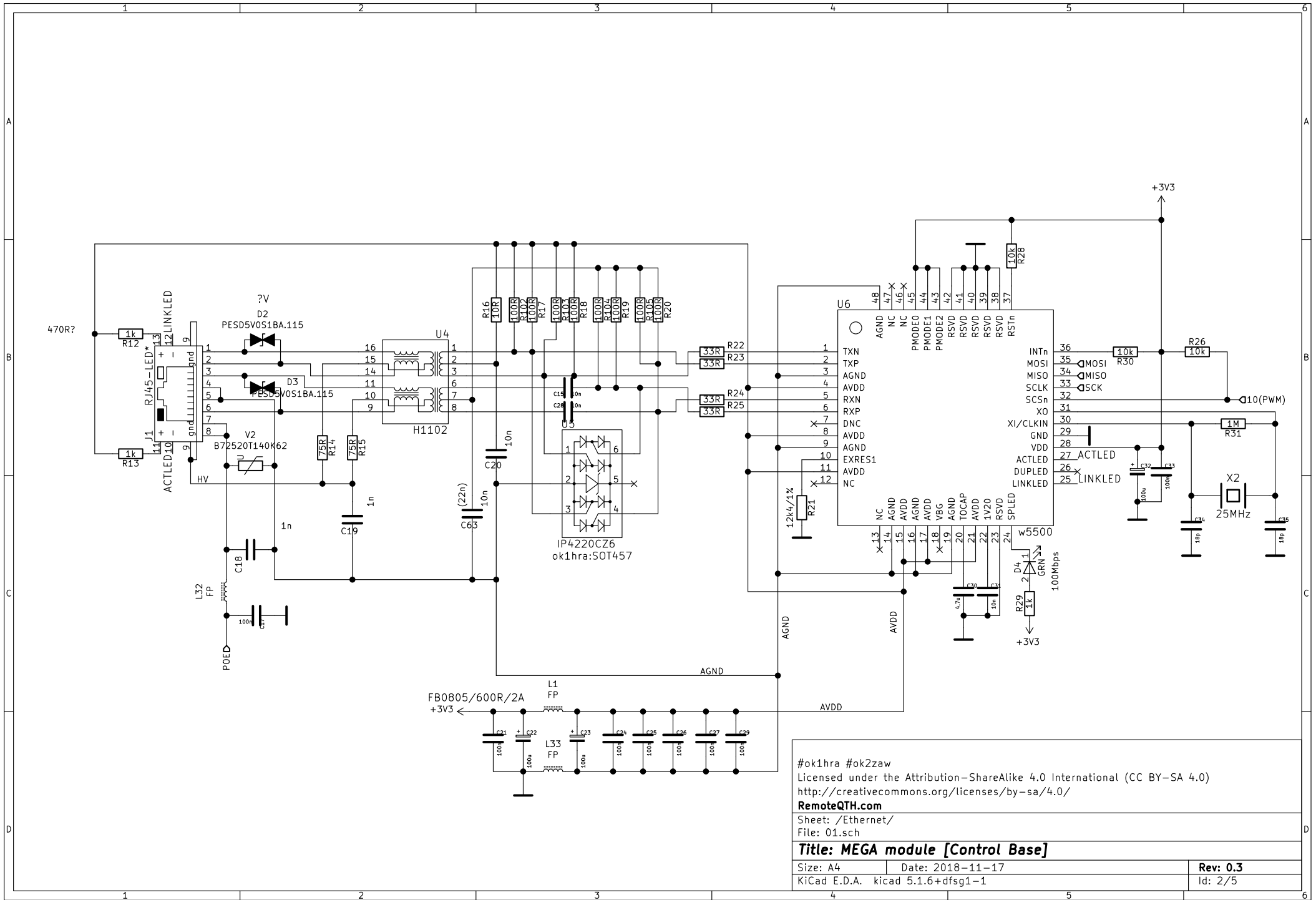


#ok1hra #ok2zaw  
 Licensed under the Attribution-ShareAlike 4.0 International (CC BY-SA 4.0)  
<http://creativecommons.org/licenses/by-sa/4.0/>  
**RemoteQTH.com**  
 Sheet: /  
 File: MEGA\_module.sch  
**Title: MEGA module [Control Base]**  
 Size: A3 Date: 2018-11-17 Rev: 0.3  
 KiCad E.D.A. kicad 5.1.6+dfsg1-1 Id: 1/5

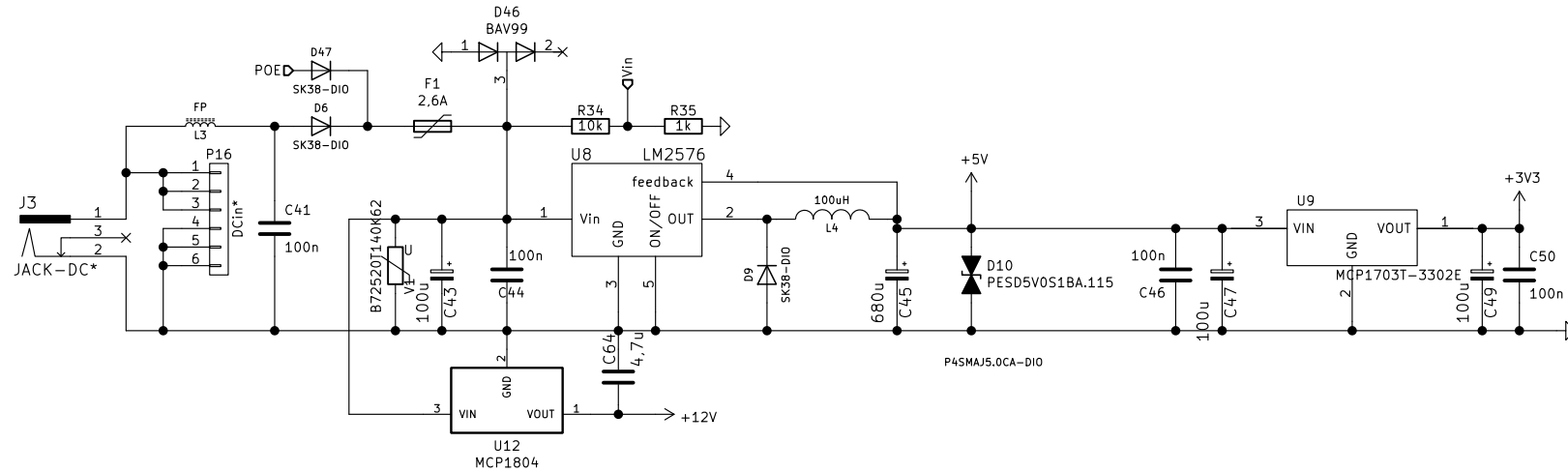


#ok1hra #ok2zaw  
 Licensed under the Attribution-ShareAlike 4.0 International (CC BY-SA 4.0)  
<http://creativecommons.org/licenses/by-sa/4.0/>  
**RemoteQTH.com**  
 Sheet: /Ethernet/  
 File: 01.sch

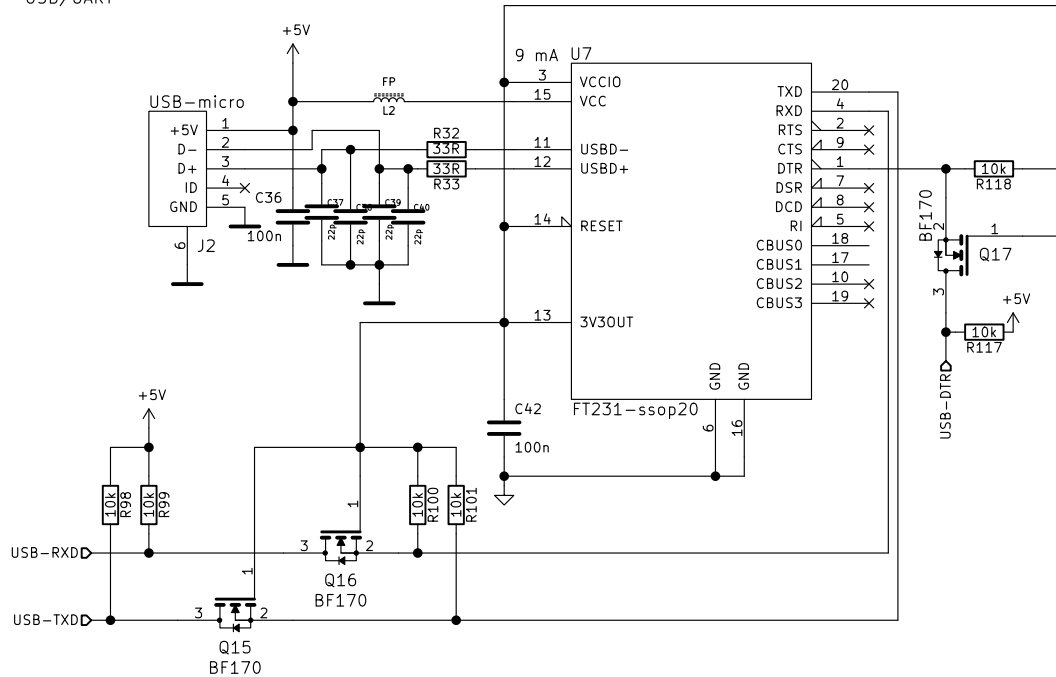
**Title: MEGA module [Control Base]**

Size: A4	Date: 2018-11-17	Rev: 0.3
KiCad E.D.A. kicad 5.1.6+dfsg1-1		Id: 2/5

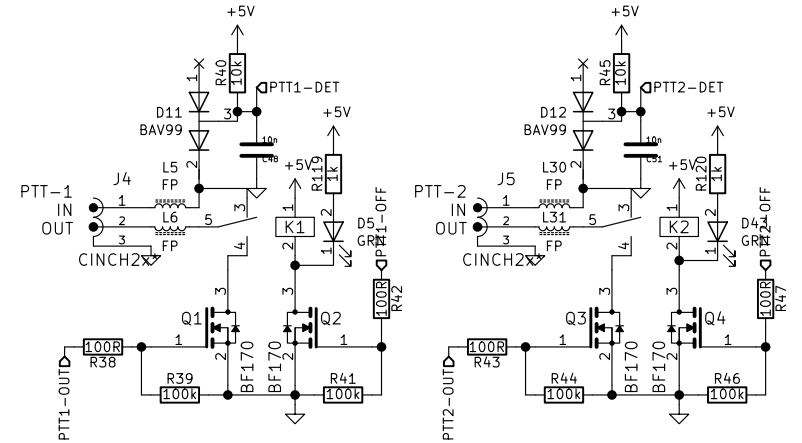
POWER



USB/UART



PTT detector



#ok1hra #ok2zaw  
 Licensed under the Attribution-ShareAlike 4.0 International (CC BY-SA 4.0)  
<http://creativecommons.org/licenses/by-sa/4.0/>  
 RemoteQTH.com

Sheet: /PWR/USB/  
 File: 02.sch

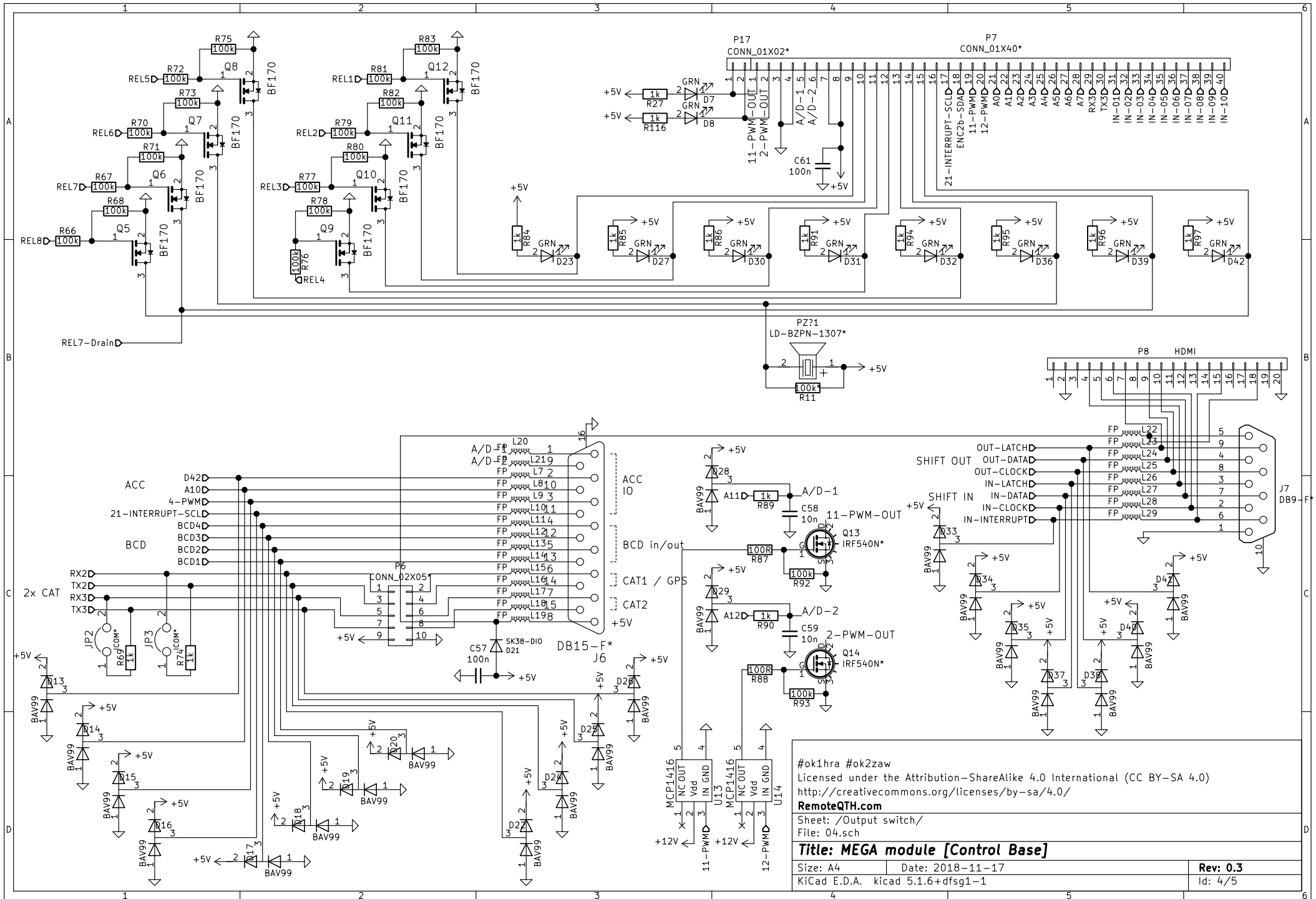
**Title: MEGA module [Control Base]**

Size: A4 Date: 2018-11-17

KiCad E.D.A. kicad 5.1.6+dfsg1-1

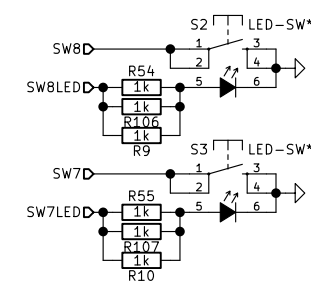
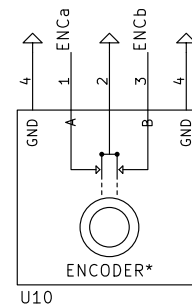
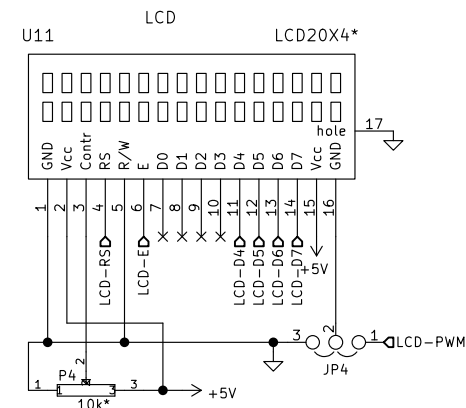
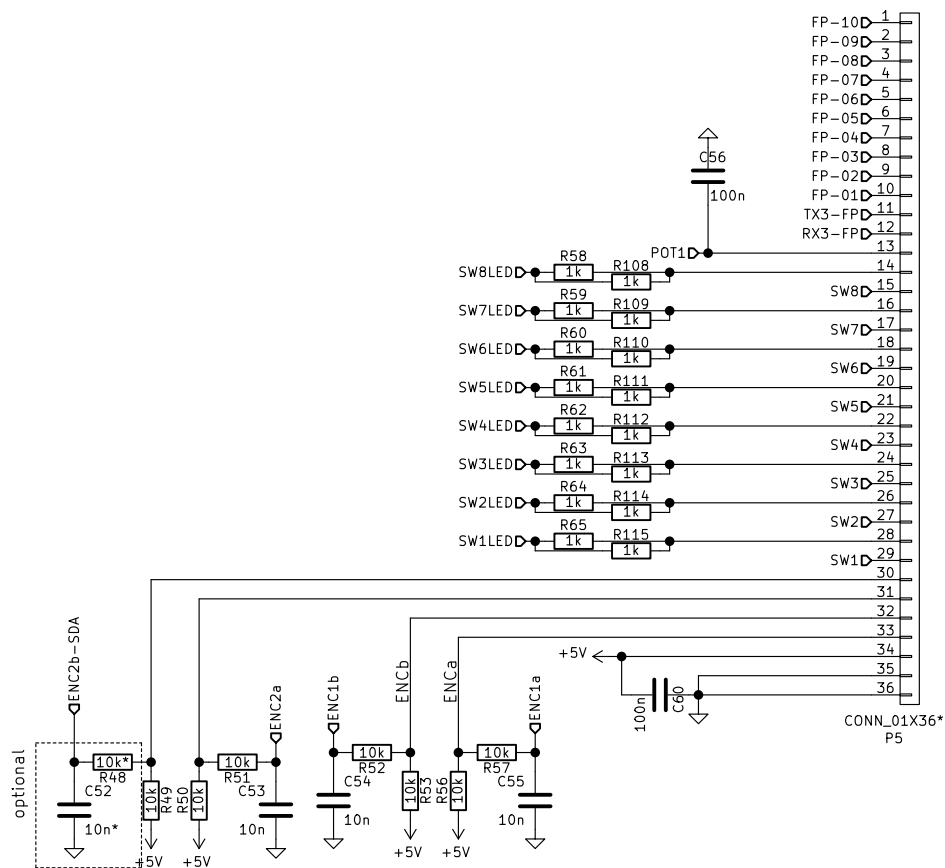
Rev: 0.3

Id: 3/5



#ok1hra #ok2zaw  
 Licensed under the Attribution-ShareAlike 4.0 International (CC BY-SA 4.0)  
<http://creativecommons.org/licenses/by-sa/4.0/>  
**RemoteQTH.com**  
 Sheet: /Output switch/  
 File: 04.sch

<b>Title: MEGA module [Control Base]</b>	
Size: A4	Date: 2018-11-17
KiCad E.D.A. kicad 5.1.6+dfsg1-1	Rev: 0.3
	Id: 4/5



#ok1hra #ok2zaw

Licensed under the Attribution-ShareAlike 4.0 International (CC BY-SA 4.0)  
<http://creativecommons.org/licenses/by-sa/4.0/>

RemoteQTH.com

Sheet: /Front panel/  
 File: 03.sch

**Title: MEGA module [Control Base]**

Size: A4 Date: 2018-11-17

KiCad E.D.A. kicad 5.1.6+dfsg1-1

Rev: 0.3

Id: 5/5