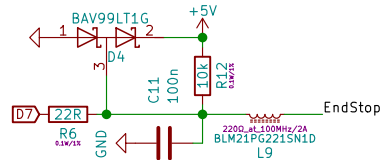
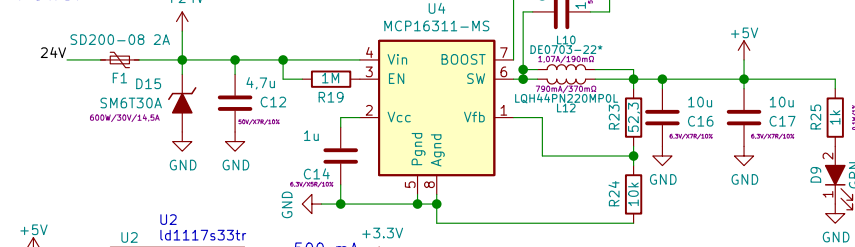


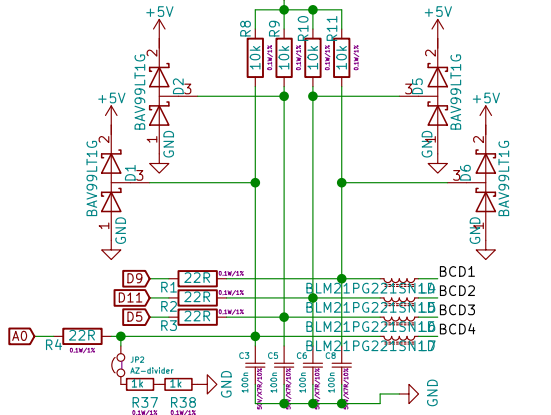
### Endstop



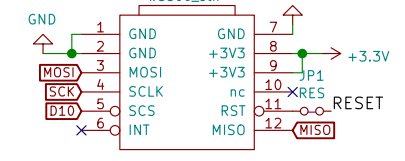
### Power



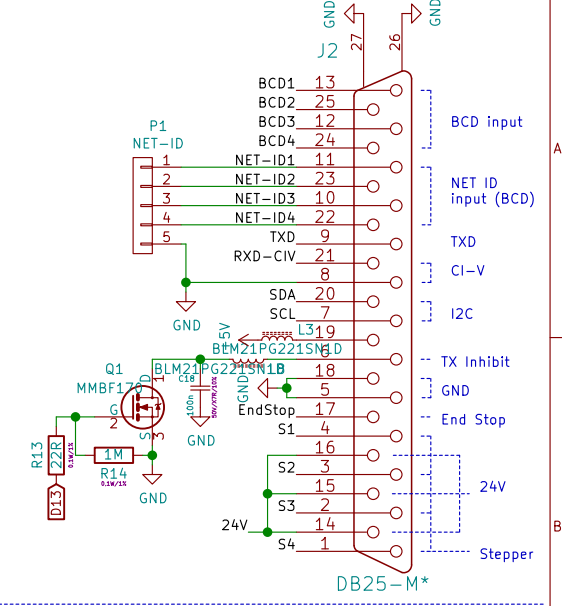
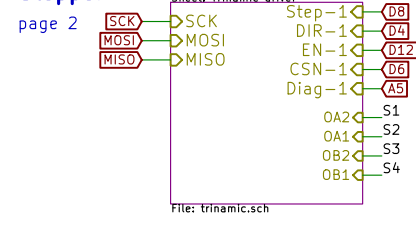
### BCD IN bank



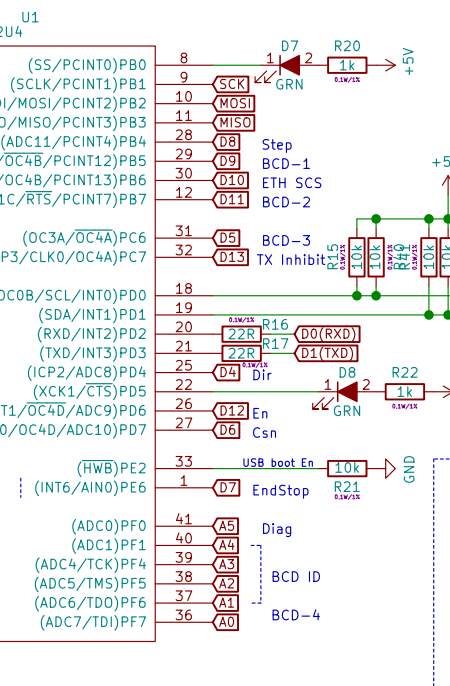
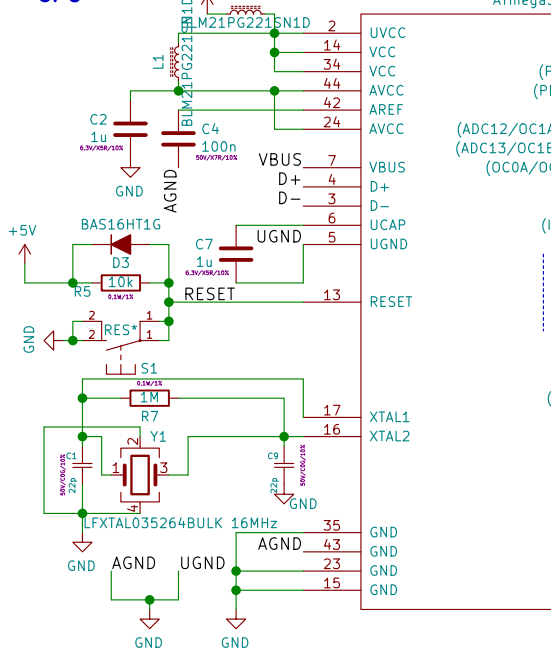
### Ethernet



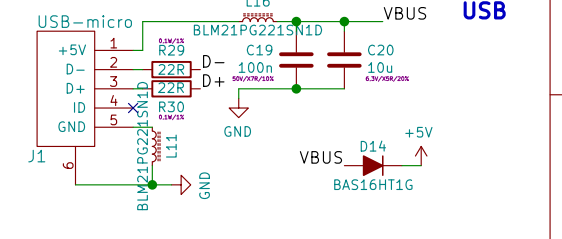
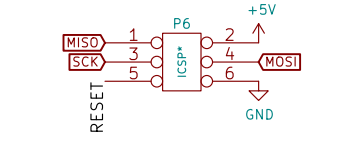
### Stepper



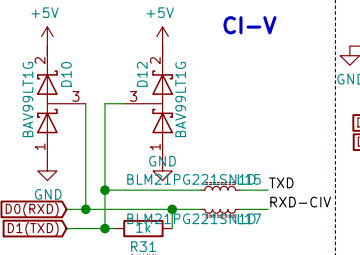
### CPU



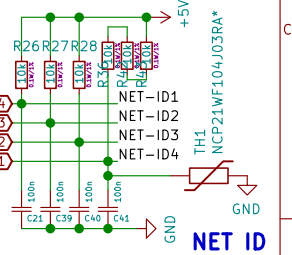
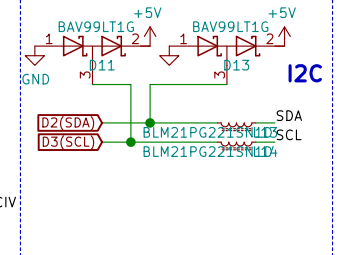
### ICSP



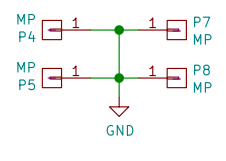
### CI-V



### I2C



### Mounting Holes

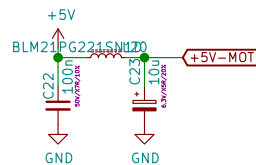
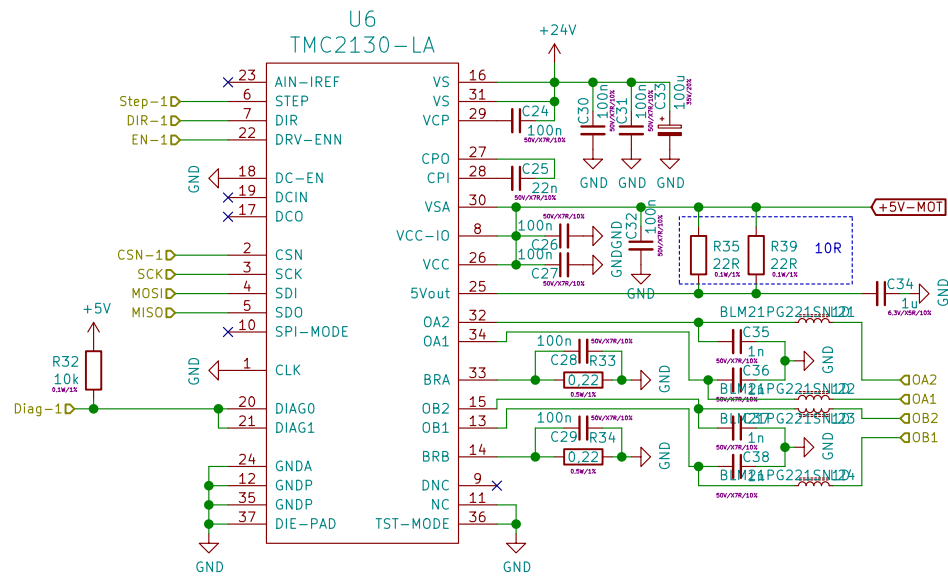


#ok1hra  
 Licensed under the Attribution-ShareAlike 4.0 International (CC BY-SA 4.0)  
<http://creativecommons.org/licenses/by-sa/4.0/>  
**RemoteQTH.com**  
 Sheet: /  
 File: IP-stepper.sch

**Title: IP/WEB Stepper controller**

Size: A4 Date: 2019-03-05  
 KiCad E.D.A. kicad 5.1.5+dfsg1-2bpo10+1

Rev: 0.2  
 Id: 1/2



#ok1hra

Licensed under the Attribution-ShareAlike 4.0 International (CC BY-SA 4.0)  
<http://creativecommons.org/licenses/by-sa/4.0/>

RemoteQTH.com

Sheet: /Trinamic driver/  
 File: trinamic.sch

**Title: IP/WEB Stepper controler**

Size: A4 Date: 2019-03-05

Rev: 0.2

KiCad E.D.A. kicad 5.1.5+dfsg1-2bpo10+1

Id: 2/2