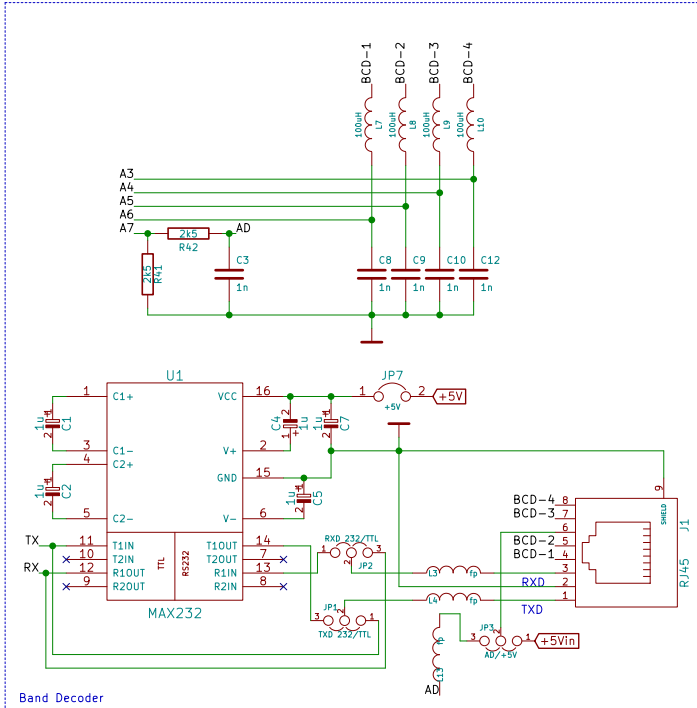
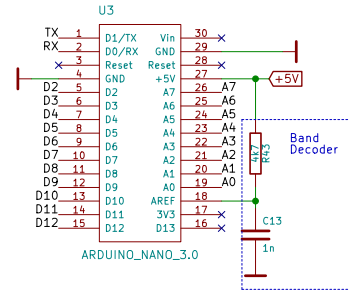
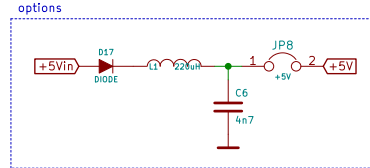
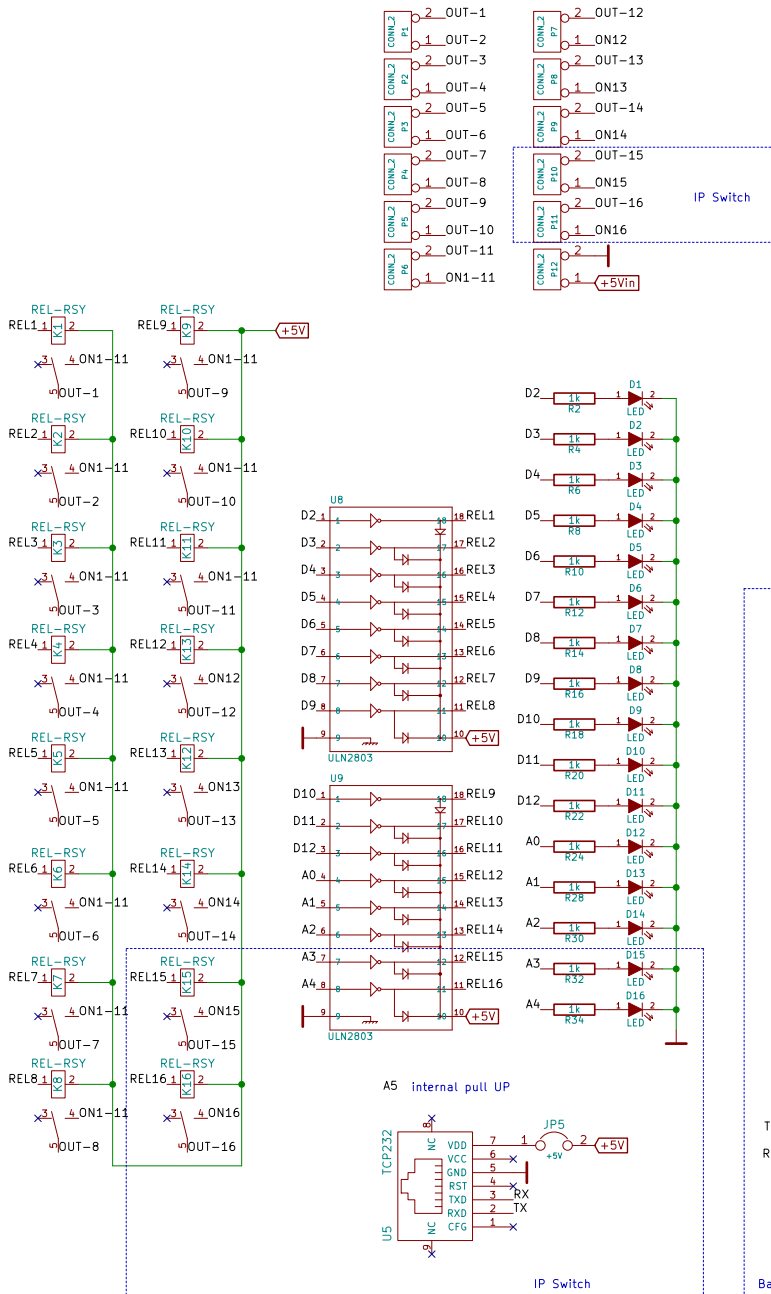
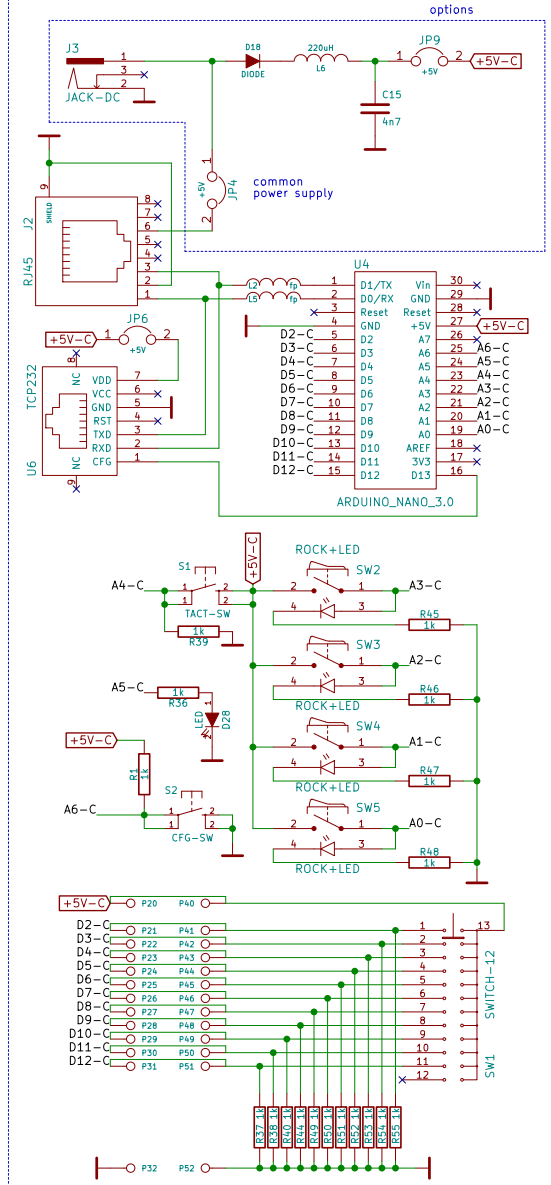


## Relay board



## Control board



PCB (200 x 50mm) + (100 x 50mm)  
 Licensed under the Attribution-ShareAlike 4.0 International (CC BY-SA 4.0)  
<http://creativecommons.org/licenses/by-sa/4.0/>  
 OK1HRA  
**RemoteQTH.com**  
 Sheet: /  
 File: band-decoder.sch  
**Title: IP switch / Band Decoder for Arduino**  
 Size: A3 Date: 20 led 2015 Rev: 0.5  
 KiCad E.D.A. kicad (2015-12-07 BZR 6353)-product Id: 1/1