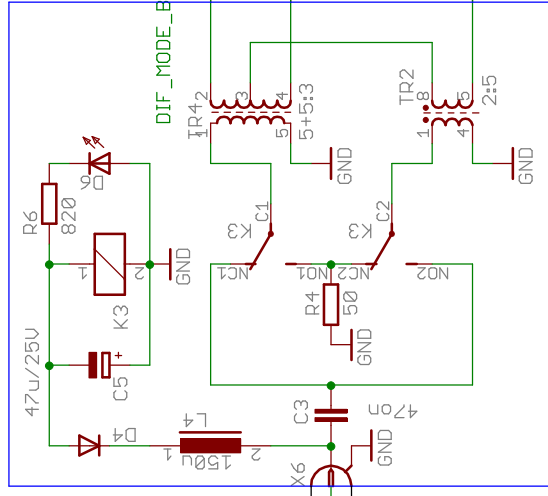
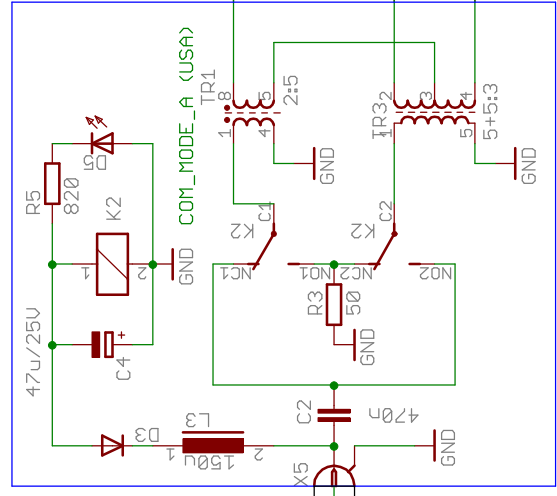
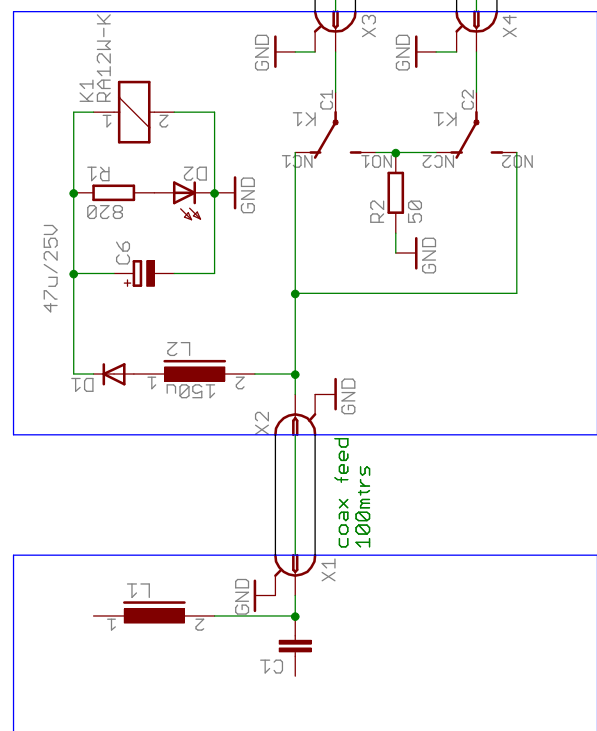
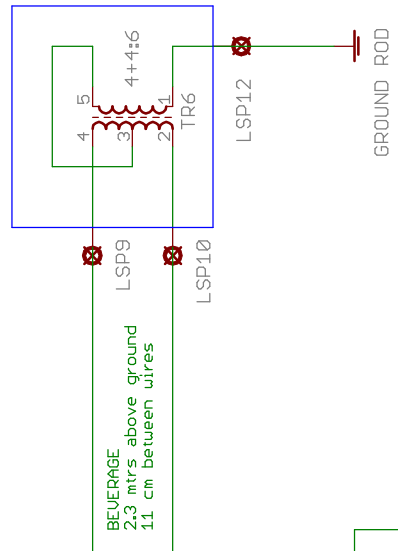
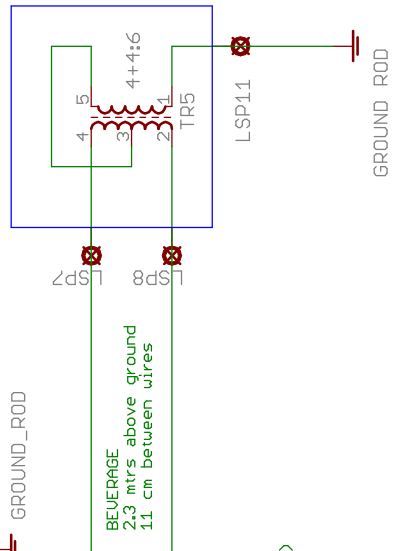


AC = COM\_MODE\_B (South America)  
 -12V = DIF\_MODE\_A (Middle East)  
 0V = COM\_MODE\_A (USA)  
 +12V = DIF\_MODE\_B (JA)



differential impedance: 590 Ohm  
 common mode impedance: 372 Ohm  
 ground rod resistance 60 Ohm  
 (deduct from Zcom for correct turn ratio)



DIF\_MODE\_A (Middle East)

DIF\_MODE\_B (JA)

COM\_MODE\_B (South America)

TITLE: dual bidirectional beverage

Document: Control for 2 bi-directional beverages  
 PC5M, V1.2

Date: 1-12-2012 14:17:38

Sheet: 1/1